

750 Eclipse Paddle Rotary Latch

Features

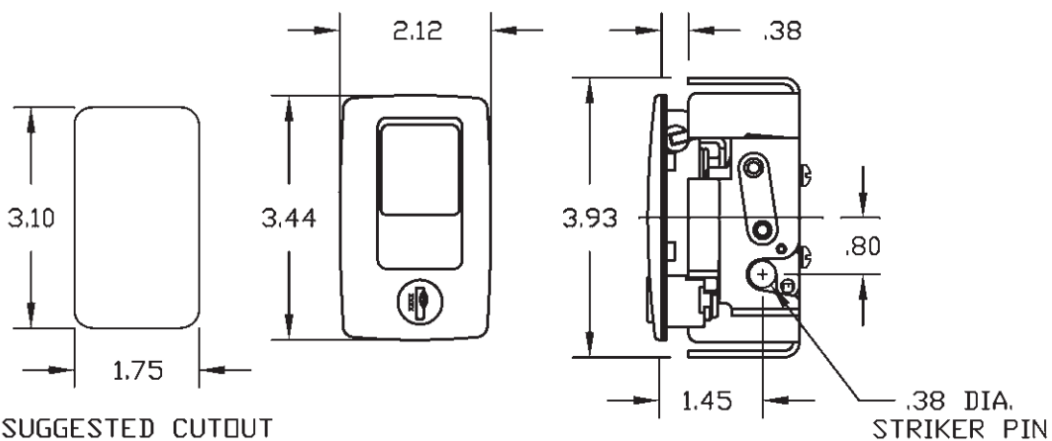
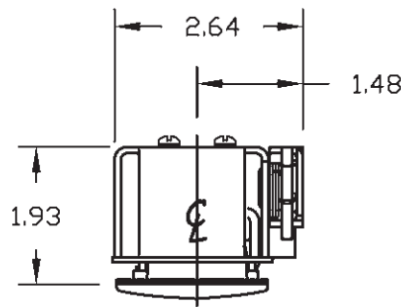
- Paddle rotary design, uses a .38" diameter striker pin
- Rotary latch is integral to the mounting bracket for strength and ease of operation
- Latch features O-rings in the paddle and cylinder design for added water resistance
- Designed for panel thickness from 3/16" to 3/8"
- Ideal for small compartment applications where a secure latch mechanism is required
- Produced with UV stabilized thermoplastic and stainless steel components, latch is suitable for extreme applications that deal with water including boats, campers, trailers, or outdoor containers
- Key-locking version is furnished with two keys

Material

- Paddle and housing made of a high strength thermoplastic
- Metal stampings are 300 Series stainless
- Key cylinder is zinc die cast

Notes

- Striker **240-52U** sold separately



SUGGESTED CUTOUT

Part No.	Type
ECL-750-P9	Non-Locking
ECL-750-KP9	Key Locking

Dimensions in inches